

ATLANTA

Assembly and Instruction Manual

**Please read this document prior to installation or
assembly.**

04.10

BATHROOM FURNITURE ASSEMBLY INSTRUCTIONS

Product Identification

All units can be easily identified from the labels on the packaging. These labels include a description and product batch numbers. In the unlikely event of any missing items, these numbers should be quoted when contacting your supplier.

Please inspect all products carefully before installation.

The guarantee does not cover any subsequent installation costs incurred if faults which would have been evident at the time of delivery are discovered after installation.

Installation Guide and Assembly Manual

It is recommended that this guide should be read before any installation of units begins. Always unpack units carefully and check the contents before discarding the packaging as small items may still be in the packaging. To protect units from scratches only lay them on a clean flat surface.

DO NOT CARRY UNITS BY RAILS

Installation

- If using a W/C unit it is advisable that this unit where possible should be installed first. This unit is floor standing and may need leveling. Either pack the unit up or scribe down to the floor, this would give a starting point and installation height for all other base units. Please remember if a plinth is being used on adjacent units that the plinth height is 180mm.
- When all units are ready for installation and the room is cleared, place the units along the relevant walls and level off. Level by adjusting the legs, where possible leave a gap of 180mm from floor to underside of cabinet. This will ease the plinth fixing at later stages of installation.
- Once aligned, use the carcass connecting bolts to join adjacent units together.
- Secure units to the wall either through the back rail or by using 'L' shape fixing brackets where supplied. Please note that wall fixings are not supplied for securing the units to the wall.
- If any cut-outs or scribing has been undertaken it is the responsibility of the installer to seal any cut edges with a suitable waterproof agent.
- For the installation of wall units or mirrors a suggested height of 1122mm above the surface of the Countertop is recommended. This dimension must be adhered to if Units or Mirrors are sited immediately beside a Tall unit as shelving would prove difficult to install. If a Tall unit is not present these items can be installed at the customers discretion. Please refer to unit dimensions within this document.
- Marking off each unit will give you a reference point for securing the wall fixing brackets, final adjustments can be made by the wall hanging brackets inside the unit. Once aligned use cabinet connecting bolts to join adjacent units together.
- High Gloss panels may be covered with a protective film which needs to be removed before final installation.
- **ANY CUT PANELS INCLUDING COUNTERTOPS MUST BE SEALED WITH A WATERPROOF AGENT.**

SANITARYWARE

Basins.

Any cabinet edges around wash basins must be sealed with a waterproof agent or sealer.

Basins should be levelled on a bead of silicon onto the base unit if possible before the final water and waste connections are made.

W/C Units

You will need to make cut-outs for pipes and cistern controls as directed by the Manufacturer's instructions or templates, remembering to seal any raw edges. The cistern will require fixing to the cross rail. (These fixings are not supplied) Please note: These units are designed for back-to-wall pans as well as suspended "wall hung" pans when used with a suitable suspension frame.

Guidelines for Care and Maintenance

To maintain the appearance and prolong the life of your new bathroom products we recommend the following,

Furniture

Wipe spills up immediately with a clean soft damp cloth as excessive amounts of spillage or condensation can cause deterioration of the woodwork.

We recommend that furniture be cleaned with a soft damp cloth and warm soapy water.

Avoid using cleaners or polishes that contain abrasives, solvents, acid or ammonia.

Ceramic Sanitaryware

Clean with a soft damp cloth and warm soapy water; rinse with clean water and polish with a soft cloth. Avoid using cleaners that contain abrasives, solvents, acid or ammonia.

Gel-coated Cast Mineral Washbasins

Gel-cast basins are designed and guaranteed to be used with hot water up to a maximum temperature of 65°C, this temperature must not be exceeded

Clean with a soft damp cloth, water and soap or very mild detergent, rinse and polish with a soft cloth. Avoid using cleaners that contain abrasives, solvents, acid or ammonia. Do not use caustic soda or bleaches.

For a good shine use a fine polish around twice a year and then finish with a wax e.g. car wax. Care instructions are included with the washbasin.

Brassware

Clean with a damp cloth, water and soap, rinse clean and polish with a cloth.

Avoid using cleaners that contain abrasives, solvents, acid or ammonia.

Cabinet Breakdown

The Unit Code is purely used for ordering purposes and can be made up from several components. The following lists will hopefully help to alleviate any problems you may have in organising what parts go with which units.

Unit Code	Description	Size W x H	Quantity	Type	Std / WHT	T/Match
R/S60BBU	RIGID 600 SUSPENDED BREEZE BASIN UNIT INC BASIN	569x190 296x296	1 2	D88 L105/D105	R/WMU60	R/WMU60
R/S60BBDU	RIGID 600 SUSPENDED BREEZE BASIN DRAWER INC BASIN	569x190 596x296	1 1	D88 D109	R/WMU60	R/WMU60
R/S60BCB	RIGID 600 SUSPENDED COUNTER TOP UNIT	569x190 296x296	1 2	D88 L105/D105	R/WMU60	R/WMU60
R/S60BCBD	RIGID 600 SUSPENDED COUNTER TOP DRAWER UNIT	569x190 596x296	1 1	D88 D109	R/WMU60	R/WMU60
R/S60BCB/C	RIGID 600 SUSPENDED CORIAN COUNTER TOP UNIT	569x190 296x296	1 2	D96 L105/D105	R/WMU60	R/WMU60
R/S60BCBD/C	RIGID 600 SUSPENDED CORIAN COUNTER TOP DRAWER	569x190 596x296	1 1	D96 D109	R/WMU60	R/WMU60
R/60BBU	RIGID 600 BREEZE BASIN UNIT INC BASIN	596x190 296x442	1 2	D88 L89/D89	R/U1	R/CT60
R/60BCB	RIGID 600 COUNTER TOP UNIT	596x190 296x442	1 2	D88 L89/D89	R/U1	R/CT60
R/60BCB/P	RIGID 600 COUNTER TOP UNIT PLAIN TOP PANEL	596x190 296x442	1 2	D92 L89/D89	R/U1	R/CT60
R/64BCB	RIGID 640 COUNTER TOP UNIT	636x190 316x442	1 2	D22 L23/D23	R/U34	R/CT64
R/64BCB/P	RIGID 640 COUNTER TOP UNIT PLAIN TOP PANEL	636x190 316x442	1 2	D35 L23/D23	R/U34	R/CT64
R/70BCB	RIGID 700 COUNTER TOP UNIT	696x190 346x442	1 2	D1 L2/D2	R/U51	R/CT70
R/70BCB/P	RIGID 700 COUNTER TOP UNIT PLAIN TOP PANEL	696x190 346x442	1 2	D34 L2/D2	R/U51	R/CT70
R/60BCB/C	RIGID 600 CORIAN COUNTER TOP UNIT	569x190 296x442	1 2	D96 L89/D89	R/U1	R/CT60
R/64BCB/C	RIGID 640 CORIAN COUNTER TOP UNIT	636x190 316x442	1 2	D52 L23/D23	R/U34	R/CT64
R/70BCB/C	RIGID 700 CORIAN COUNTER TOP UNIT	696x190 346x442	1 2	D51 L2/D2	R/U51	R/CT70
RC/50BCC	RIGID 500 PLINTHLINE WC UNIT INC CISTERN	496x190 496x442	1 1	D90 D107	R/WC50	R/WC50
RC/60BCC	RIGID 600 PLINTHLINE WC UNIT INC CISTERN	596x190 596x442	1 1	D88 D108	R/WC60	R/WC60
RC/60BCC/P	RIGID 600 PLINTHLINE WC UNIT INC CISTERN PLAIN TOP PANEL	596x190 596x442	1 1	D92 D108	R/WC60	R/WC60
RC/70BCC	RIGID 700 PLINTHLINE WC UNIT INC CISTERN	696x190 696x442	1 1	D1 D7	R/WC70	W/WC70
RC/70BCC/P	RIGID 700 PLINTHLINE WC UNIT INC CISTERN PLAIN TOP PANEL	696x190 696x442	1 1	D34 D7	R/WC70	R/WC70
RC/FP50WC	RIGID 500 FULL PANEL WC UNIT INC CISTERN	496x190 496x622	1 1	D90 (D93) L91/D91	R/WC50	R/WC50
RC/FP60WC	RIGID 600 FULL PANEL WC UNIT INC CISTERN	596x190 596x622	1 1	D88 L103/D103	R/WC60	R/WC60
RC/FP60WC/P	RIGID 600 FULL PANEL WC UNIT INC CISTERN PLAIN OP PANEL	596x190 596x622	1 1	D92 L103/D103	R/WC60	R/WC60
RC/FP70WC	RIGID 700 FULL PANEL WC UNIT INC CISTERN	696x190 696x622	1 1	D1 L104/D104	R/WC70	R/WC70
RC/FP70WC/P	RIGID 700 FULL PANEL WC UNIT INC CISTERN PLAIN TOP PANEL	696x190 696x622	1 1	D34 L104/D104	R/WC70	R/WC70

Cabinet Breakdown

The Unit Code is purely used for ordering purposes and can be made up from several components. The following lists will hopefully help to alleviate any problems you may have in organising what parts go with which units.

Unit Code	Description	Size W x H	Quantity	Type	Std / WHT	T/Match
R/50BCC	RIGID 500 PLINTHLINE WC UNIT	496x190	1	D90	R/WC50	R/WC50
		496x442	1	D107		
R/60BCC	RIGID 600 PLINTHLINE WC UNIT	596x190	1	D88	R/WC60	R/WC60
		596x442	1	D108		
R/60BCC/P	RIGID 600 PLINTHLINE WC UNIT PLAIN TOP PANEL	596x190	1	D92	R/WC60	R/WC60
		596x442	1	D108		
R/70BCC	RIGID 700 PLINTHLINE WC UNIT	696x190	1	D1	R/WC70	R/WC70
		696x442	1	D7		
R/70BCC/P	RIGID 700 PLINTHLINE WC UNIT PLAIN TOP PANEL	696x190	1	D34	R/WC70	R/WC70
		696x442	1	D7		
R/FP50WC	RIGID 500 FULL PANEL WC UNIT	496x190	1	D90	R/WC50	R/WC50
		496x622	1	L91/D91		
R/FP60WC	RIGID 600 FULL PANEL WC UNIT	596x190	1	D88	R/WC60	R/WC60
		596x622	1	L103/D103		
R/FP60WC/P	RIGID 600 FULL PANEL WC UNIT PLAIN TOP PANEL	596x190	1	D92	R/WC60	R/WC60
		596x622	1	L103/D103		
R/FP70WC	RIGID 700 FULL PANEL WC UNIT	696x190	1	D1	R/WC70	R/WC70
		696x622	1	L104/D104		
R/FP70WC/P	RIGID 700 FULL PANEL WC UNIT PLAIN TOP PANEL	696x190	1	D34	R/WC70	R/WC70
		696x622	1	L104/D104		
DFC/C	DUAL FLUSH CISTERN CABLE OPERATED					
DFC/P	DUAL FLUSH CISTERN PNEUMATIC OPERATED					
R/175BSD	RIGID 175 BASE UNIT	171x636	1	L28/D28	R/U62	R/FB175
R/35BSD	RIGID 350 BASE UNIT	346x636	1	L3/D3	R/U6.R/U7.R/U8	R/FB35
R/70B2SD	RIGID 700 BASE UNIT	346x636	2	L3/D3	R/U23.R/U24	R/FB70
R/35PBSD	RIGID 350 PULL OUT BASE UNIT	346x636	1	L3/D3	R/U6.R/U7.R/U8	R/FB35
R/35BDD	RIGID 350 D/LINE BASE UNIT	346x636	1	L4/D4	R/U6.R/U7.R/U8	R/FB35
R/35B3D	RIGID 350 3 DRAWER BASE UNIT	346x636	1	D5	R/U6.R/U7.R/U8	R/FB35
R/OS	RIGID VARIABLE OPEN SHELF UNIT 340 DEEP				R/OS	R/OS
2R/OS	RIGID VARIABLE OPEN SHELF UNIT 225 DEEP				R2/OS	R2/OS
DF	BASE DOOR FILLER		1	L20/D20		
VCP	VOID CORNER POST 140 x 55	200x640	1	L32/D32		
35BTSD	350 TALL BASE UNIT	346x1150	1	L8/D8	U58	
		346x636	1	L3/D3		
35BTOSD	350 TALL OPEN BASE UNIT	346x636	2	L3/D3	U58	
35BTODD	350 TALL D/LINE OPEN BASE UNIT	346x636	1	L3/D3	U58	
		346x636	1	L4/D4		
2R/S60BCB	SLIMLINE RIGID 600 SUSPENDED COUNTER TOP UNIT	596x190	1	D88	R2/WMU60	R2/WMU60
		296x296	2	L105/D105		
2R/60BCB	SLIMLINE RIGID 600 COUNTER TOP UNIT	596x190	1	D88	R2/U1	R2/CT60
		296x442	2	L89/D89		
2R/60BCB/P	SLIMLINE RIGID 600 COUNTERTOP UNIT PLAIN TOP PANEL	596x190	1	D92	R2/U1	R2/CT60
		296x442	2	L89/D89		
2R/64BCB	SLIMLINE RIGID 640 COUNTER TOP UNIT	636x190	1	D22	R2/U34	R2/CT64
		316x442	2	L23/D23		
2R/64BCB/P	SLIMLINE RIGID 640 COUNTER TOP UNIT PLAIN TOP PANEL	636x190	1	D35	R2/U34	R2/CT64
		316x442	2	L23/D23		

Cabinet Breakdown

The Unit Code is purely used for ordering purposes and can be made up from several components. The following lists will hopefully help to alleviate any problems you may have in organising what parts go with which units.

Unit Code	Description	Size W x H	Quantity	Type	Std / WHT	T/Match
2R/70BCB	SLIMLINE RIGID 700 COUNTERTOP UNIT	696x190	1	D1	R2/U51	R2/ CT70 CB
		346x442	2	L2/D2		
2R/70BCB/P	SLIMLINE RIGID 700 COUNTER TOP UNIT PLAIN TOP PANEL	696x190	1	D34	R2/U51	R2/CT70
		346x442	2	L2/D2		
2RC/50BCC	SLIMLINE RIGID 500 PLINTH WC UNIT INC CISTERN	496x190	1	D90 (D93)	R2/WC50	R2/WC50
		496x442	1	D107		
2RC/60BCC	SLIMLINE RIGID 600 PLINTH WC UNIT INC CISTERN	596x190	1	D88	R2/WC60	R2/WC60
		596x442	1	D108		
2RC/60BCC/P	SLIMLINE RIGID 600 PLINTH WC UNIT INC CISTERN PLAIN TOP PANEL	596x190	1	D92	R2/WC60	R2/WC60
		596x442	1	D108		
2RC/70BCC	SLIMLINE RIGID 700 PLINTH WC UNIT INC CISTERN	696x190	1	D1	R2/WC70	R2/WC70
		696x442	1	D7		
2RC/70BCC/P	SLIMLINE RIGID 700 PLINTH WC UNIT INC CISTERN PLAIN TOP PANEL	696x190	1	D34	R2/WC70	R2/WC70
		696x442	1	D7		
2RC/FP50WC	SLIMLINE RIGID 500 F/P WC UNIT AND CIST (FULL PANEL INC CISTERN)	496x190	1	D90 (D93)	R2/WCFP50	R2/WCFP50
		496x622	1	L91/D91		
2RC/FP60WC	SLIMLINE RIGID 600 F/P WC UNIT AND CIST (FULL PANEL INC CISTERN)	596x190	1	D88	R2/WCFP60	R2/WCFP60
		596x622	1	L103/D103		
2RC/FP60WC/P	SLIMLINE RIGID 600 F/P WC UNIT INC CISTERN PLAIN TOP PANEL	596x190	1	D92	R2/WCFP60	R2/WCFP60
		596x622	1	L103/D103		
2RC/FP70WC	SLIMLINE RIGID 700 F/P WC UNIT AND CIST (FULL PANEL INC CISTERN)	696x190	1	D1	R2/WCFP70	R2/WCFP70
		696x622	1	L104/D104		
2RC/FP70WC/P	SLIMLINE RIGID 700 F/P WC UNIT INC CISTERN PLAIN TOP PANEL	696x190	1	D34	R2/WVFP70	R2/WCFP70
		696x622	1	L104/D104		
2R/50BCC	SLIMLINE RIGID 500 PLINTHLINE WC UNIT	496x190	1	D90	R2/WC50	R2/WC50
		496x442	1	D107		
2R/60BCC	SLIMLINE RIGID 600 PLINTHLINE WC UNIT	596x190	1	D88	R2/WC60	R2/WC60
		596x442	1	D108		
2R/60BCC/P	SLIMLINE RIGID 600 PLINTHLINE WC UNIT PLAIN TOP PANEL	596x190	1	D92	R2/WC60	R2/WC60
		596x442	1	D108		
2R/70BCC	SLIMLINE RIGID 700 PLINTHLINE WC UNIT	696x190	1	D1	R2/WC70	R2/WC70
		696x442	1	D7		
2R/70BCC/P	SLIMLINE RIGID 700 PLINTHLINE WC UNIT PLAIN TOP PANEL	696x190	1	D34	R2/WC70	R2/WC70
		696x442	1	D7		
2R/FP50WC	SLIMLINE RIGID 500 FULL PANEL WC UNIT	496x190	1	D90	R2/WCFP50	R2/WCFP50
		496x622	1	L91/D91		
2R/FP60WC	SLIMLINE RIGID 600 FULL PANEL WC UNIT	596x190	1	D88	R2/WCFP60	R2/WCFP60
		596x622	1	L103/D103		
2R/FP60WC/P	SLIMLINE RIGID 600 FULL PANEL WC UNIT PLAIN TOP PANEL	596x190	1	D92	R2/WCFP60	R2/WCFP60
		596x622	1	L103/D103		
2R/FP70WC	SLIMLINE RIGID 700 FULL PANEL WC UNIT	696x190	1	D1	R2/WCFP70	R2/WCFP70
		696x622	1	L104/D104		
2R/FP70WC/P	SLIMLINE RIGID 700 FULL PANEL WC UNIT PLAIN TOP PANEL	696x190	1	D34	R2/WCFP70	R2/WCFP70
		696x622	1	L104/D104		
2R/175BSD	SLIMLINE 175 BASE UNIT	171x636	1	L28/D28	R2/U62	R2/FB175
2R/35BSD	SLIMLINE RIGID 350 BASE UNIT	346x636	1	L3/D3	R2/U6	R2/FB35
2/35BTSD	SLIMLINE 350 TALL BASE UNIT	346x1150	1	L8/D8	2/U58	2/FT35
		346x636	1	L3/D3		
R/175TW	RIGID 175 TALL WALL UNIT	796x171	1	L45/D45	R/U64	R/TW175
R/350TW	RIGID 350 TALL WALL UNIT	346x796	1	L46/D46	R/U65	R/TW35

Cabinet Breakdown

The Unit Code is purely used for ordering purposes and can be made up from several components. The following lists will hopefully help to alleviate any problems you may have in organising what parts go with which units.

Unit Code	Description	Size W x H	Quantity	Type	Std / WHT	T/Match
R/50TW	RIGID 500 TALL WALL UNIT - DOUBLE DOORS	246x796	2	L95/D95	R/U3	R/TW50
R/60TW	RIGID 600 TALL WALL UNIT - DOUBLE DOORS	296x796	2	L106/D106	R/U90	R/TW60
R/70TW	RIGID 700 TALL WALL UNIT - DOUBLE DOORS	346x796	2	L46/D46	R/U68	R/TW70
R/175TWM	RIGID 175 TALL WALL MIRROR UNIT	171x796	1	D57	R/U64	R/TW175
R/350TWM	RIGID 350 TALL WALL MIRROR UNIT	346x796	1	D58	R/U65	R/TW35
R/60TWM	RIGID 600 TALL WALL MIRROR UNIT DOUBLE DOORS	296x796	PAIR	D94	R/U90	R/TW60
R/64TWM	RIGID 640 TALL WALL MIRROR UNIT DOUBLE DOORS	316x796	PAIR	D61	R/U67	R/TW64
R/70TWM	RIGID 700 TALL WALL MIRROR UNIT DOUBLE DOORS	346x796	PAIR	D59	R/U68	R/TW70
R/70TWMB	RIGID 700 TALL WALL BOWED MIRROR UNIT	346x796	PAIR	D60	R/U68	R/TW70
R/60TWM/SL	SLIMLINE RIGID 600 TALL WALL MIRROR UNIT DOUBLE DOORS	296x796	PAIR	D94	R2/U91	R2/SS60
R/64TWM/SL	SLIMLINE RIGID 640 TALL WALL MIRROR UNIT DOUBLE DOORS	316x796	PAIR	D61	R2/U82	R2/SS64
R/70TWM/SL	SLIMLINE RIGID 700 TALL WALL MIRROR UNIT DOUBLE DOORS	346x796	PAIR	D59	R2/U83	R2/SS70

W/C, Bidet Units

W/C & Bidet Units consists of:

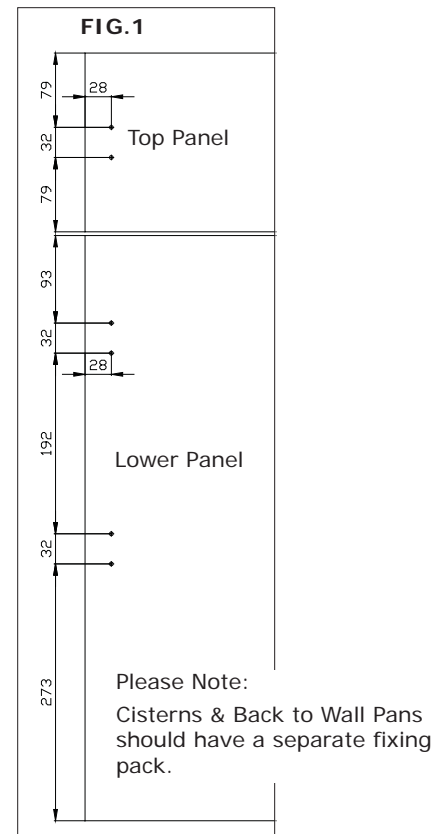
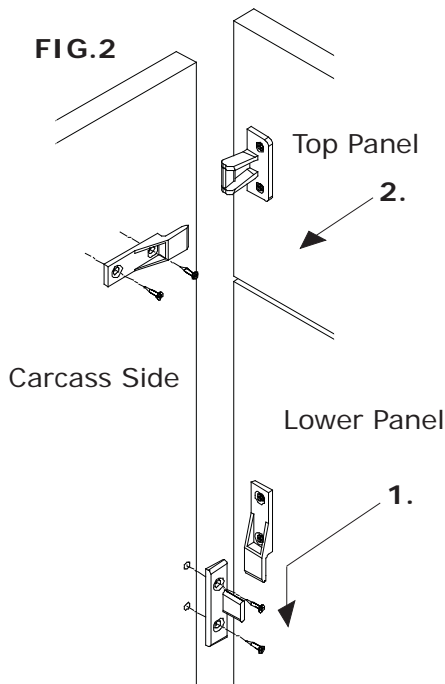
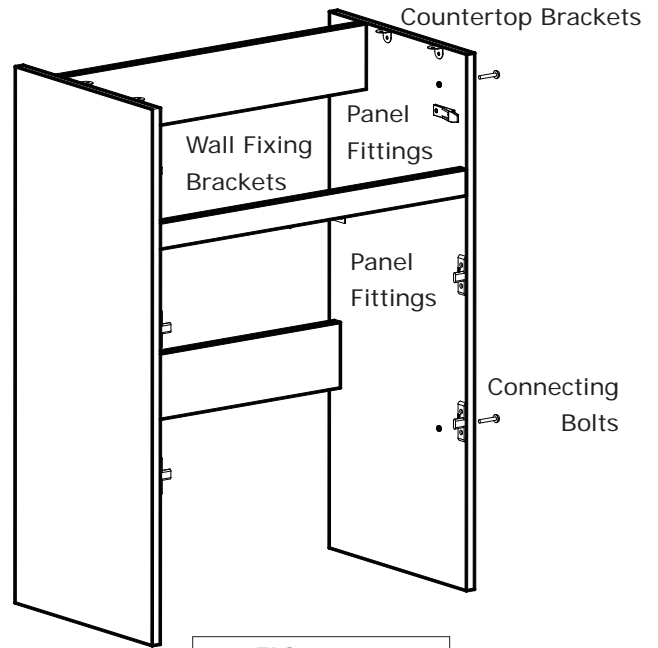
1 Rigid W/C Bidet Unit

1 Fixing Pack

INSTRUCTIONS

1. Secure Wall fixing brackets to the unit side as shown with No.6x1/2" C/sink screws. The unit is secured to the wall through the Wall Fixing bracket using suitable fixings depending on wall type. **(These fittings are not supplied)**
2. When joining adjacent units together you will need to drill holes for the carcass connecting bolts as shown.
3. To apply panel fittings to front fascia panels, drill pilot holes using **Fig1.** as a guide and secure with No.6x5/8" C/sink screws.
4. Secure the countertop with the No.7x3/4" C/ sink screws through the countertop brackets.
5. When fitting the front panels, slide the Lower Panel down first then push the Top Panel into place. **FIG.2**

Note: If installing wall hung W/C please use a specified fixing system. Ref: SFKW/C **DO NOT** fix W/C to cabinet panels.



HARDWARE

4 No.6x1 3/4" Carcass screws Plinth Infill

6 No.6x1" C/Sink screws Vanity Blocks

4 No.7x3/4" C/Sink screws Worktop

24 No.6x5/8" C/Sink screws Keku Fittings

8 No.5x1/2" C/Sink screws Metal Brackets

2 Carcass Connecting Bolts

2 Pair Keku Top Panel Fittings

4 Pair Keku Lower Panel Fittings

2 No.8 Wall Brackets

Counter Top Units

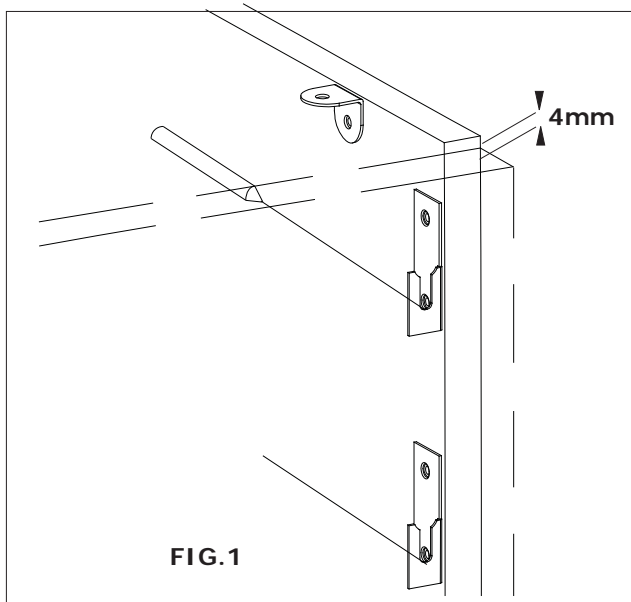
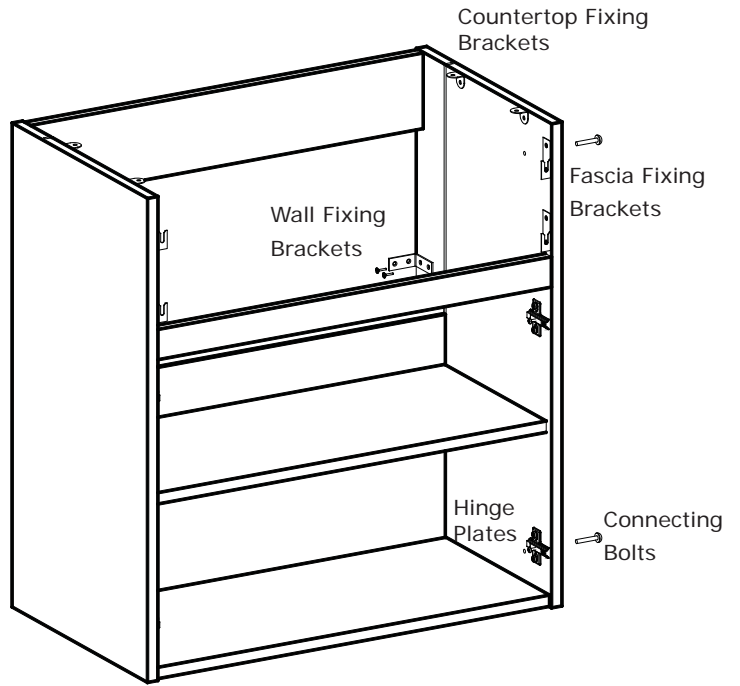
This unit consists of:

- 1 Rigid Counter Top Unit
- 1 Adjustable Shelf
- 1 Fixing Pack

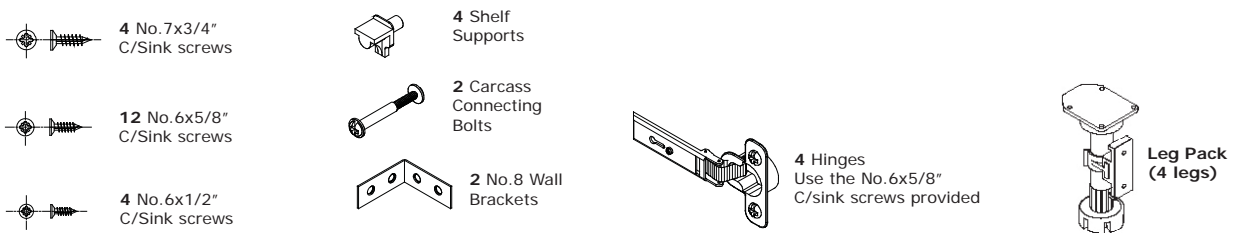
INSTRUCTIONS

1. The back panel can be removed to help installation and replaced at a later stage.
2. Secure wall brackets to the unit side as shown with No.6x1/2" C/sink screws. The unit is secured to the wall through the Wall Fixing bracket using suitable fixings depending on wall type. **(These fittings are not supplied)**
3. For the top fascia panel, align 4mm down from top edge of the unit and mark positions for No.6x5/8" C/sink screws **(Fig.1)**. You will need to drill pilot holes for the screws.
4. When joining adjacent units you will need to drill holes for the carcass connecting bolts as shown.
5. To secure the countertop, use 4 No.7x3/4" C/ sink screws through the countertop brackets.

Please refer to page 15 for hinge fixing & adjustment.



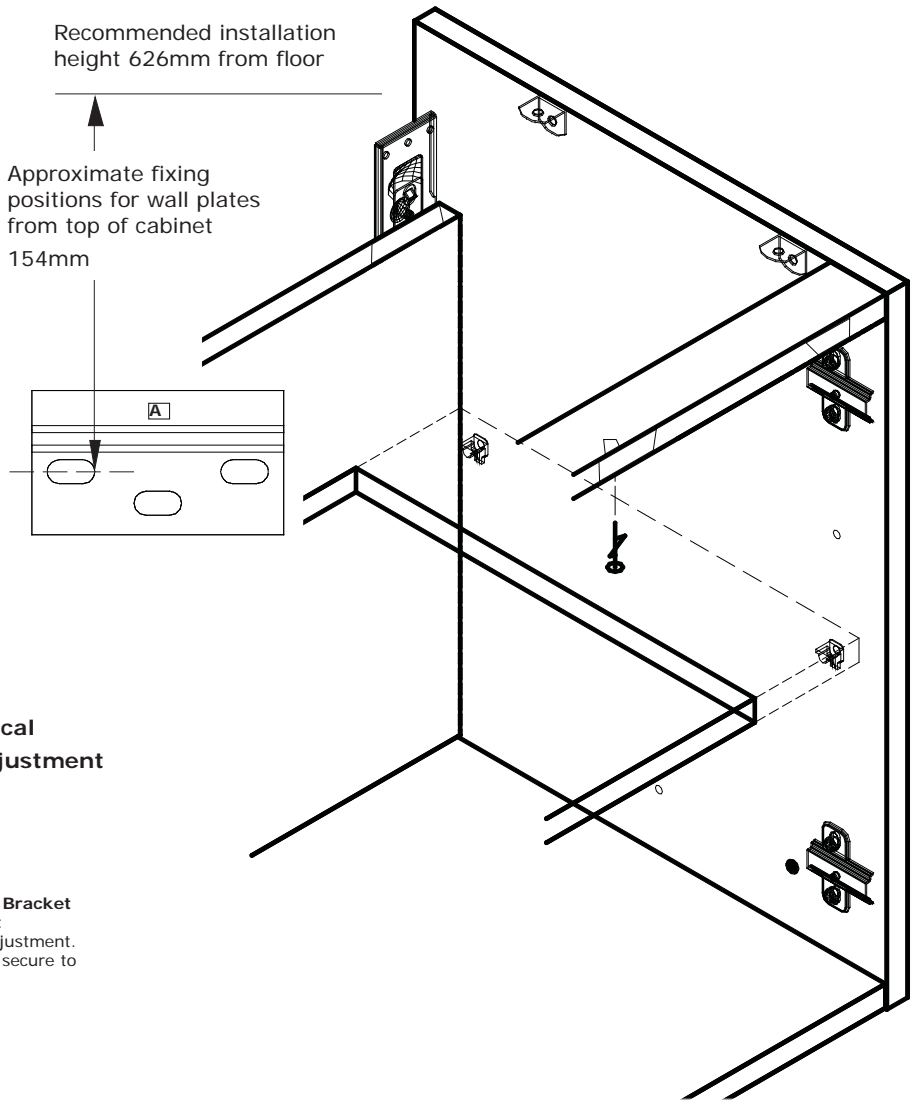
HARDWARE



Suspended Countertop Unit

FIXING INSTRUCTIONS

1. To install furniture fix wall mounting plates **A** at the desired location.
2. A datum line of 800mm is recommended from the floor to top of gable.
Suspended Cabinets are to the wall through the Wall Fixing bracket using suitable fixings depending on wall type. **(These fittings are not supplied)**

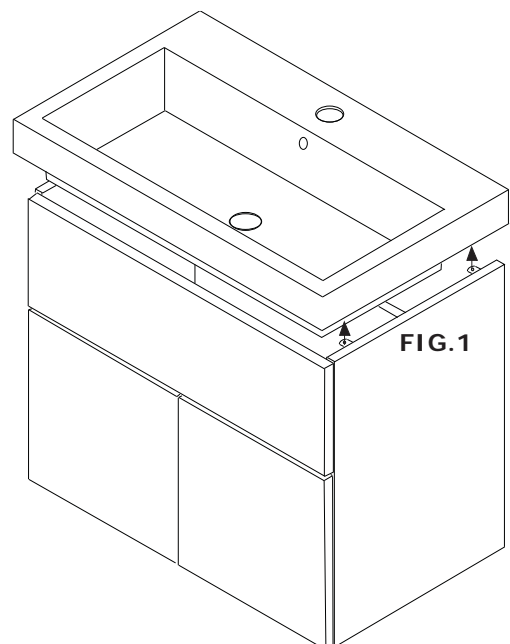


Breeze Basin

FIXING INSTRUCTIONS

To Install the Breeze basin onto a countertop unit simply place a bead of silicone around top edge of cabinets side and place basin onto bead of silicone to secure into place.

Alternative option is to use the worktop brackets supplied (FIG 1), screw through worktop brackets using x4 self tapping screws. It is advised to drill a pilot hole onto basin first.

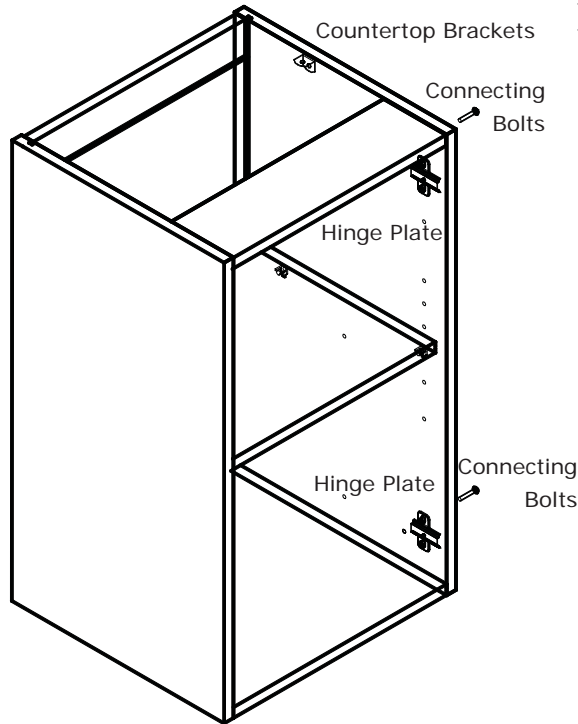


INSTRUCTIONS

This unit consists of:
1 Rigid Base Unit
1 Adjustable Shelf
1 Fixing Pack

- When joining adjacent units you will need to drill holes for the carcass connecting bolts as shown.
- The unit can be secured to the wall by drilling through the back rail and inserting suitable fixings depending on wall type. **(These fittings are not supplied)**
- The back panel can be installed at a later stage with the No.6x1/2" C/ sink screws into the back rail. Please remember to install before securing the countertop.
- To fix the countertop drill through the front rail and use the No.8x1"1/4 C/sink screws to secure. Use the No.7x3/4" C/sink screws through the countertop brackets at the rear.
- Please refer to **page 7: adjustable legs & Plinths** for leg pack assembly.

Please refer to **page 15** for hinge fixing & adjustment.



HARDWARE

- 2 No.8x1"1/4 C/Sink screws
- 2 No.7x3/4" C/Sink screws
- 6 No.6x5/8" C/Sink screws
- 2 No.6x1/2" C/Sink screws



Pull-Out Linen Basket Conversion (350 Unit Only)

R/U6-R/FB35

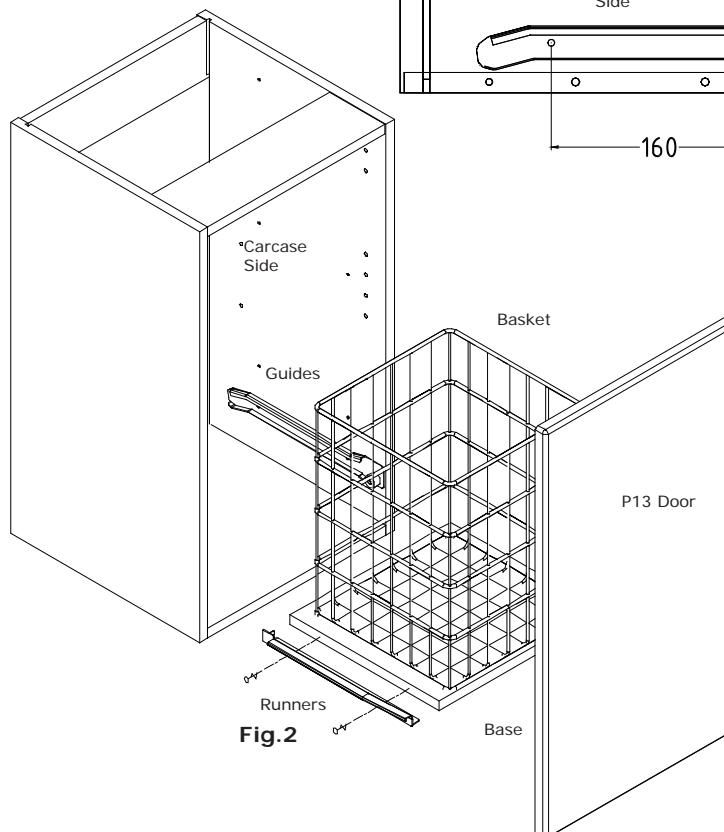
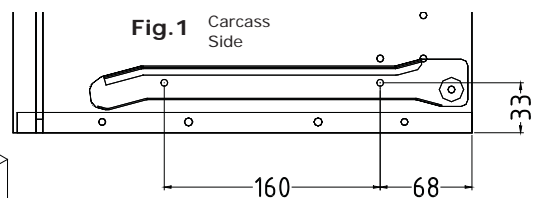
- This conversion kit consists of:
- 1 Pull-out Basket
 - 1 Pair of Metal Runners
 - 1 Base
 - 1 Fixing Kit

Unit Conversion

- Mark and drill pilot holes as illustrated in **Fig.1** and secure metal runner guides to carcass sides using No.6x1/2" C/sink screws.
- Attach runners to base (**Fig.2**) using No.6x1/2" C/sink screws.
- Secure the basket to the base and to the back of the door with the basket retaining clips and the No.6x1" C/sink screws.

HARDWARE

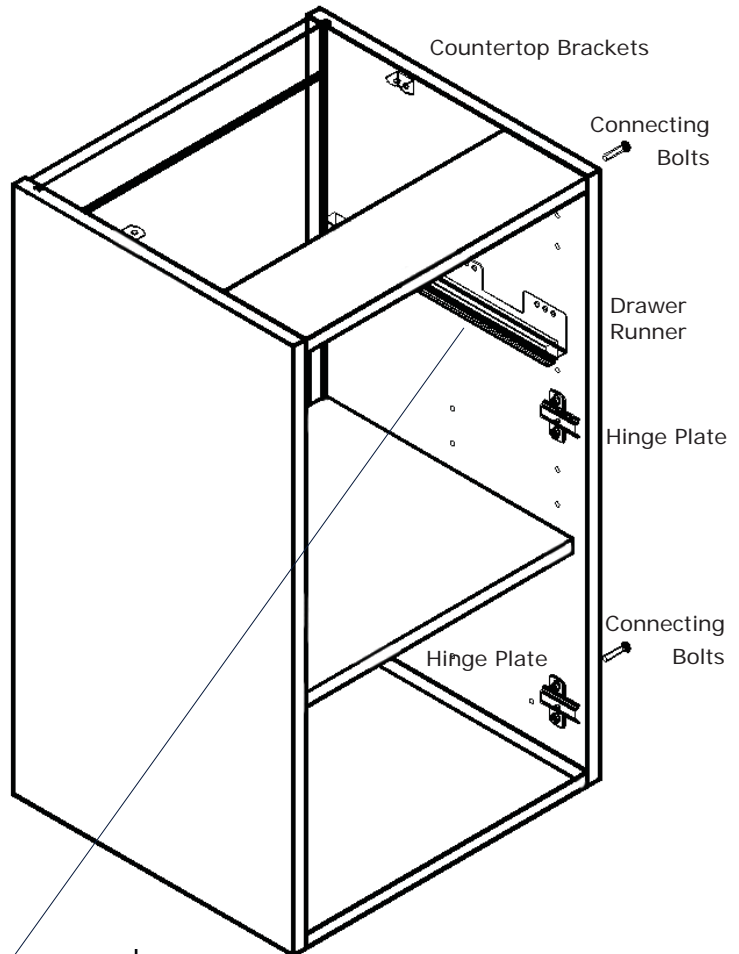
- 8 No.6x1" C/Sink screws
- 12 No.6x1/2" C/Sink screws
- 8 Linen Basket Retaining Clips
- 1 Pair Pull-out Runners



- This unit consists of:
 1 Rigid Drawer Line Base Unit
 1 Adjustable Shelf
 1 Fixing Pack

INSTRUCTIONS

1. The unit can be secured to the wall by drilling through the back rail and inserting suitable fixings depending on wall type. **(These fittings are not supplied)**
2. The back panel can be installed at a later stage with the No.6x1/2" C/sink screws into the back rail. Please remember to install before securing the countertop.
3. When joining adjacent units you will need to drill holes for the carcass connecting bolts as shown.
4. To fix the countertop drill through the front rail and use the No.8x1 1/4" C/sink screws to secure. Use No.7x3/4" C/sink screws through the countertop brackets at the rear.
5. Please refer to **page 13: Adjustable legs & Plinths** for leg pack assembly.
6. Please refer to **page 17 for hinge fixing & adjustment.**



Drawerline Units

(D4 Drawer Pack Required)

DRAWER GUIDE ASSEMBLY

Locate drawer runners over the 5mm diameter holes and secure to the Cabinet side with 2 Varianta Flat/HD screws (FIG.1). These are supplied with the P13 Drawer Pack. (Use hole positions as illustrated)

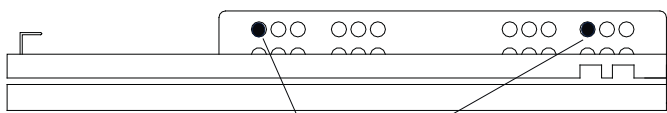
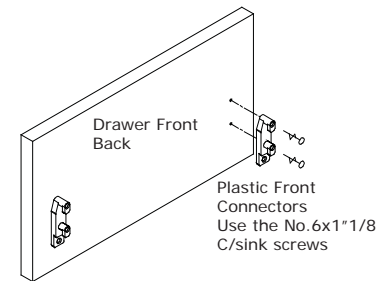


FIG.1

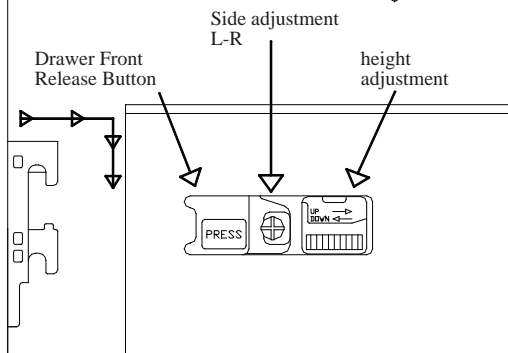
Fixing positions

Cabinet Leading Edge



Plastic Front Connectors Use the No.6x1 1/8 C/sink screws

Drawer Box Adjustment

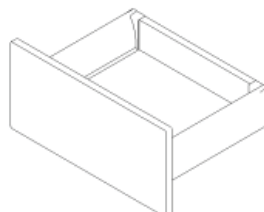


Locate drawer front clip and push down until drawer is firmly connected.

HARDWARE

- Leg Pack (4 legs)
- 4 Shelf Supports (8 For Skyline)
- 2 Carcass Connecting Bolts
- 2 No.8x1 1/4 C/Sink screws
- 2 No.7x3/4 C/Sink screws
- 4 No.6x1/2 C/Sink screws
- 2 Hinges per door Use the No.6x5/8 C/sink screws provided

Pre-Assembled Drawer Box



HARDWARE

- 1 Pair Drawer Runners
- 4 No.6x1 1/8 C/Sink screws
- 4 Varianta Flat HD Screws 6.3x10.5

(Please refer to drawerline instructions on previous page)

DRAWER GUIDE ASSEMBLY

Locate drawer runners over the 5mm diameter holes and secure to the Carcass side with 2 Varianta Flat/HD screws. These are supplied with the P13 Drawer Packs.

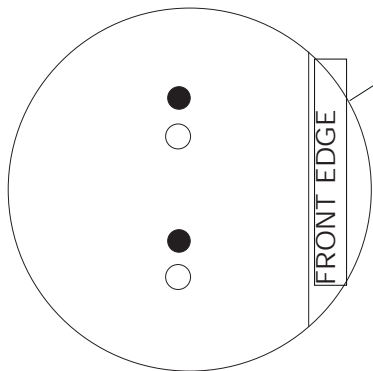
This unit consists of:

- 1 Pair of sides
- 1 Top shelf (Grooved)
- 1 Bottom shelf (Grooved)
- 2 Middle Fixed shelves
- 3 Adjustable shelves
- 1 Back panel
- 1 Fixing Pack

UNIT ASSEMBLY INSTRUCTIONS

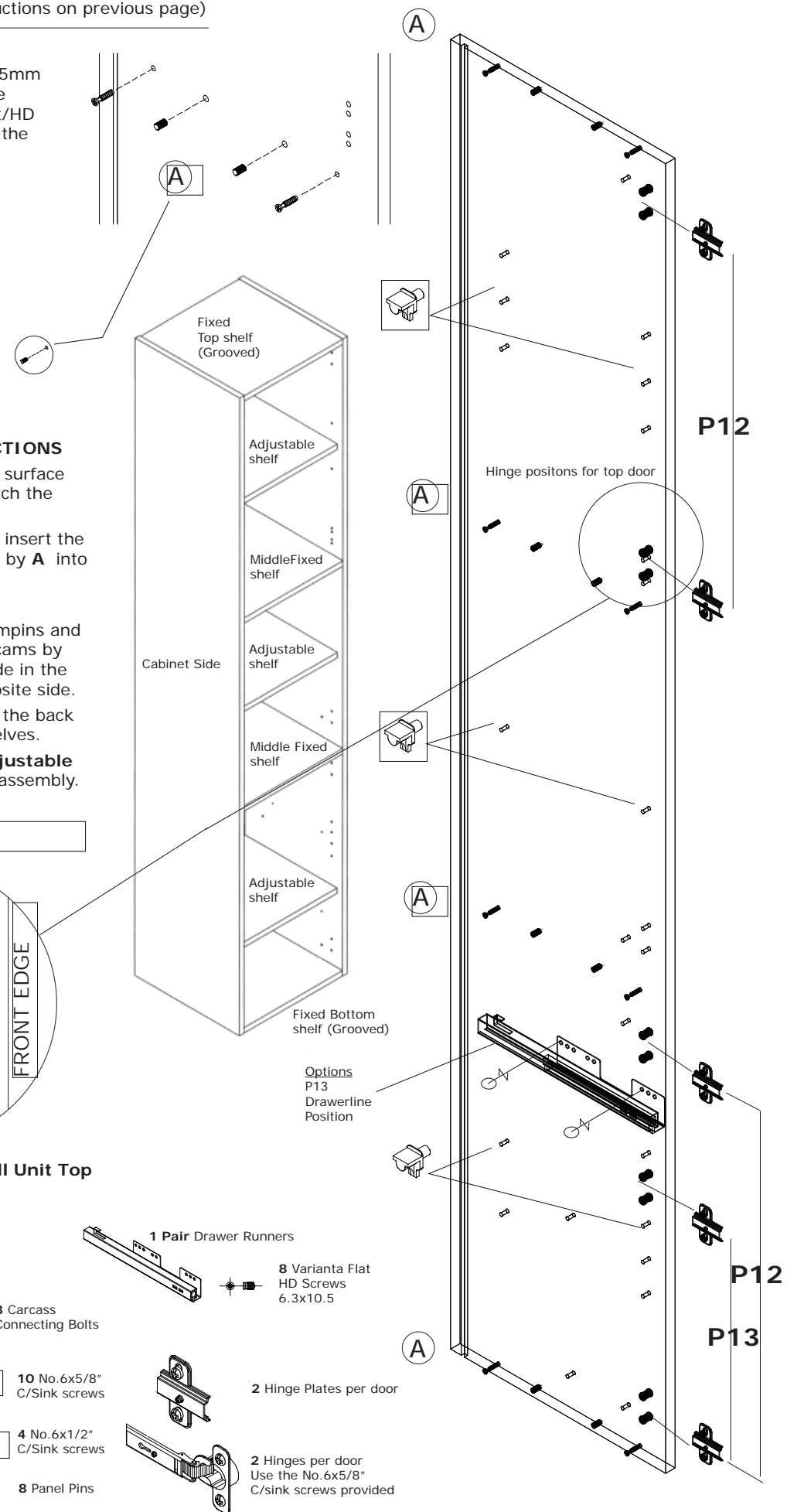
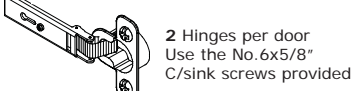
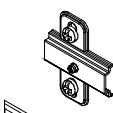
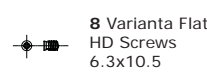
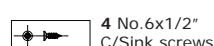
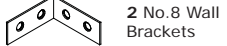
1. Lay unit sides on a clean flat surface that will not damage or scratch the sides.
2. Screw in the cam & pins and insert the wooden dowels as illustrated by **A** into the cabinet sides.
Repeat for opposite side.
3. Locate fixed shelves over campins and dowels and secure with the cams by rotating them to tighten. Slide in the back panel and add the opposite side.
4. Use the panel pins to secure the back panel to the middle fixed shelves.
5. Please refer to **page 13: Adjustable legs & Plinths** for leg pack assembly.

IMPORTANT NOTE



● Use these holes for the Tall Unit Top door (P12).

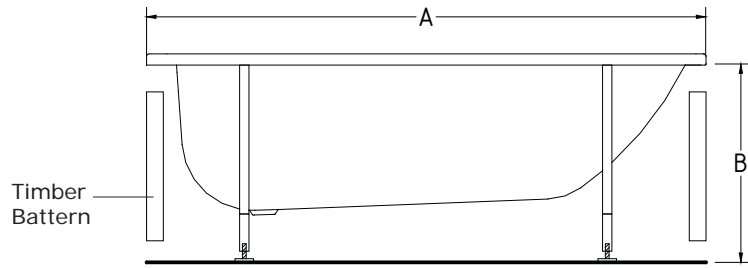
HARDWARE



Note: Baths will have their own installation instructions supplied by the manufacturer. Before attempting to fit your panels, please read these installation instructions in full and ensure that you fully understand them.

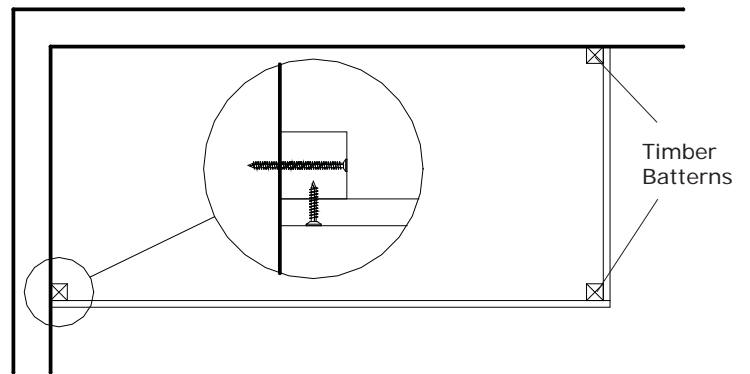
ALL PANELS ARE SUPPLIED 450mm IN HEIGHT.

FIG.1



1. To install the bath panels, measure the length and height of the bath to determine the size for the bath panels. **FIG.1**. Secure a square timber battern to the walls at both ends underneath the rim of the bath. **FIG.2**
2. The bath panel is then fixed to the square timber battern. This can be achieved in many ways, i.e. strong adhesives, silicone, liquid nails, panel pins, screws and screw cups or mirror screws, depending on the installers preference.
3. Whichever method of fixing is used, please note it may be necessary at a later date or due to unforeseen circumstances that you may need to remove the panels.
4. If a return panel is required you will need to assemble panels into an (L) Shape, use a square timber battern to join panels in the corner. **FIG.2**

FIG.2



Note: Some designs are supplied at **700 & 750**, however some are supplied at **750** only and will require reducing in length. It is important that all edges, gaps and joints must be sealed with a waterproof agent.

Variable Corner Post



Corner Situations

The corner post is used for creating a corner installation. The minimum size is 55mm x 55mm (**FIG.1**) with a variable distance in one direction to a maximum size of 140mm (**FIG.2**)

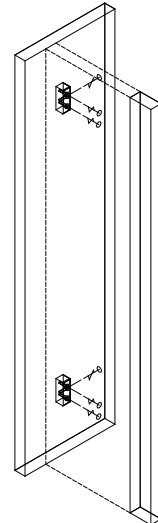
HARDWARE



2 Blocks



6 No. 6x1" C/Sink screws vanity Blocks



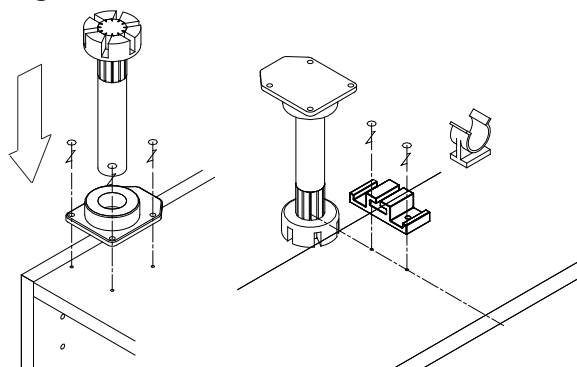
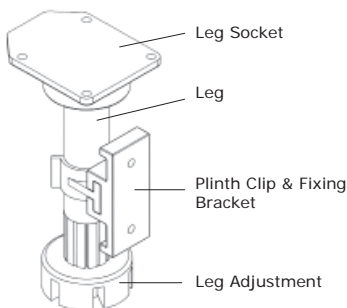
Adjustable Legs & Plinths

ADJUSTABLE LEG ASSEMBLY

1. Turn the unit upside down. Place leg socket into place and screw to the bottom of the carcass. Insert legs into sockets making sure they are pushed all the way in. Wind the leg to approximately 180mm (Plinth height). Adjustment may be required to level off. **FIG.1**
2. Place plinth into position face down, draw a line and mark positions for plinth brackets. Once in place slide leg clip into brackets and push onto legs. **FIG.2**

Fig.1

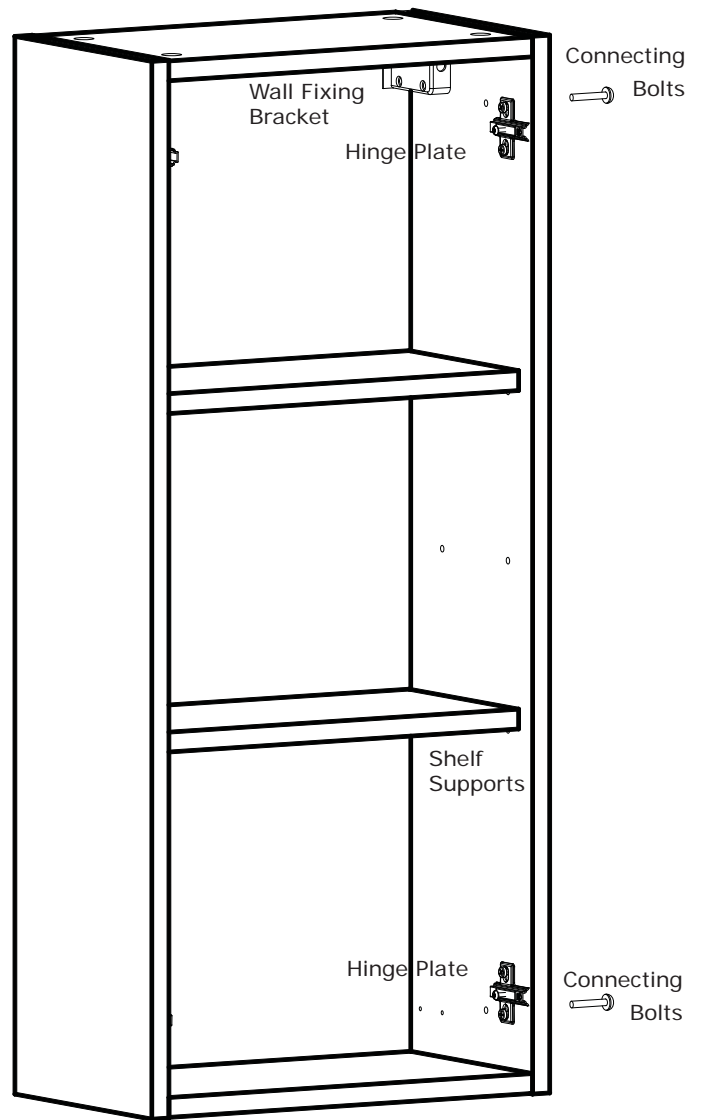
Fig.2



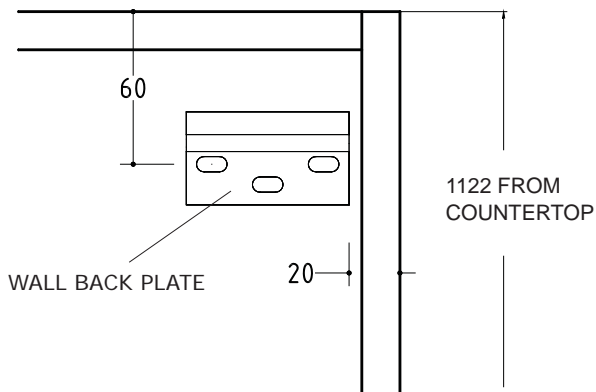
This unit consists of:
 1 Rigid Wall Unit
 2 Adjustable Shelves
 1 Fixing Pack

INSTRUCTIONS

1. 175mm & 350mm units will require the fitting of hinge plates before installation due to the limited internal width.
2. Lay unit on a clean flat surface that will not damage or scratch the unit.
3. Secure hinge plates using the pre-inserted screws provided.
4. When joining adjacent units you will need to drill holes for the carcass connecting bolts as shown.





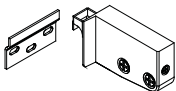
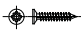
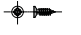
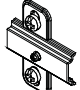
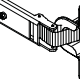
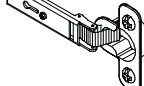
USE DIMENSIONS ONLY AS A GUIDE FOR POSITIONING WALL FIXING BRACKETS FOR WALL UNITS

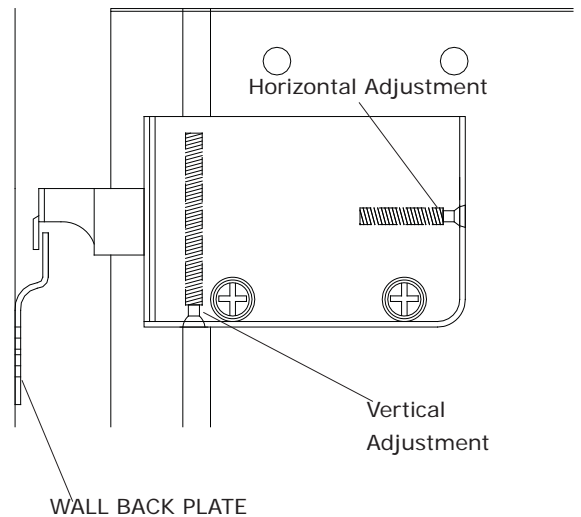


DIMENSIONS FROM OUTER EDGE OF CABINET

WALL FIXING BRACKET

HARDWARE

-  4 Shelf Supports
-  2 Carcass Connecting Bolts
-  1 Pair Wall Back Plate & Fixing Brackets (Wall units only)
-  4 No. 8x1 1/8" C/Sink screws
-  4 No. 6x5/8" C/Sink screws
-  2 Hinge Plates per door
-  2 Hinges per door
-  Use the No. 6x5/8" C/sink screws provided



This unit consists of:
 1 Rigid Wall Unit
 2 Adjustable Shelves
 1 Fixing Pack

INSTRUCTIONS

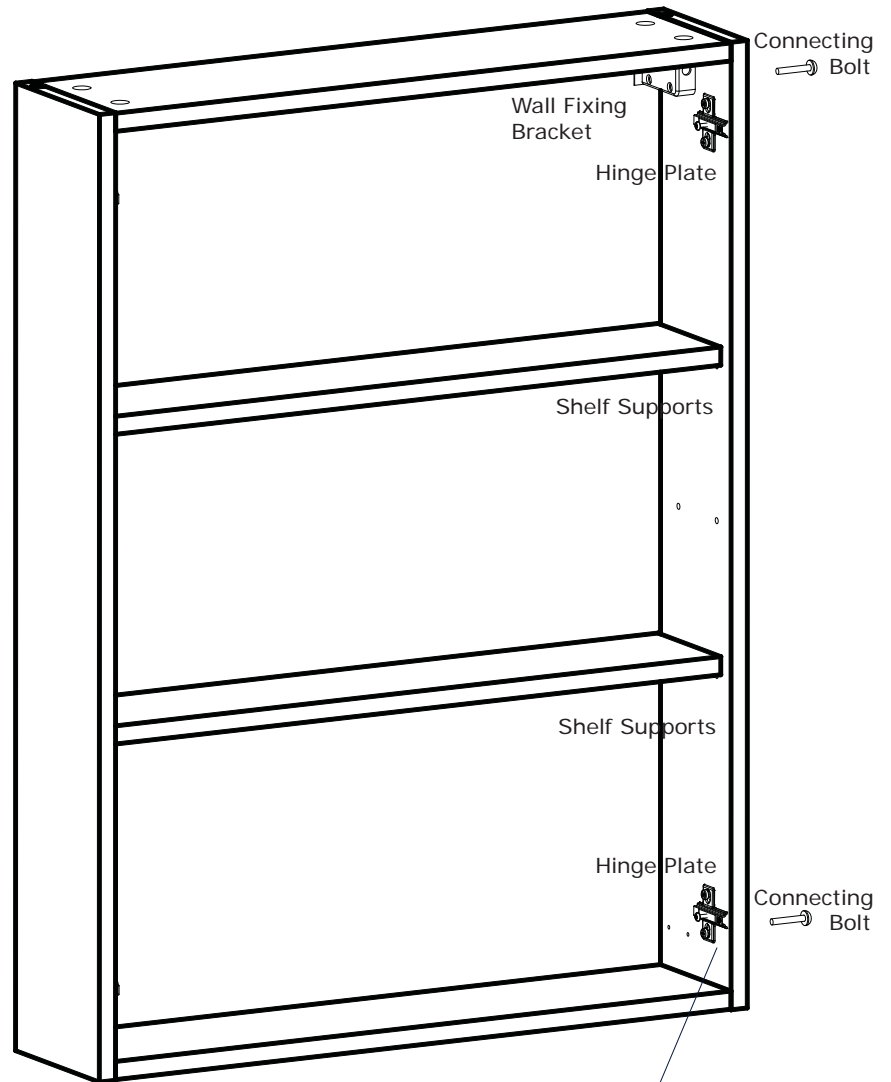
Please refer to **Wall Units** section
 For installation and positioning.

Fixing Mirrored Doors To Wall Units

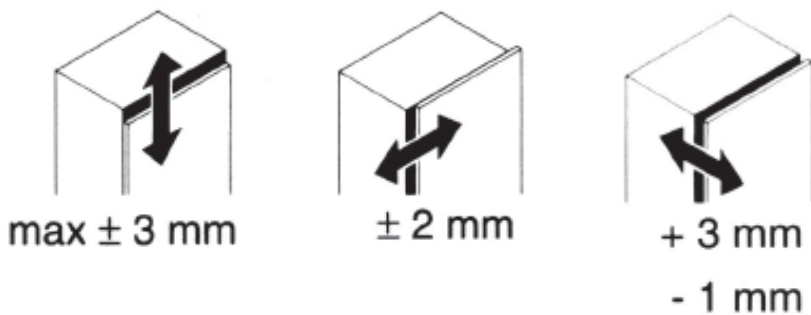
Please note that hinge plates A are supplied with the relevant mirror door packs and replace the plates supplied with the wall units.

When fixing hinge plates to cabinet do not fully tighten at this stage of installation.

1. Make sure the mirror is placed on a clean, dust-free area to avoid any surface abrasion or marking. Clip the hinge **B** over mirror plate **C** into position.
2. Open up the hinge mechanism by moving the hinge arm at both top and bottom of the door. (See **Fig.1**)
3. Locate mirrored door to the hinge plates and click into place **D**.
4. Align mirror ensuring that no tension is applied to the hinge. Now fully tighten hinge plates **A** to complete installation.
5. Any further adjustment can now be done if required.

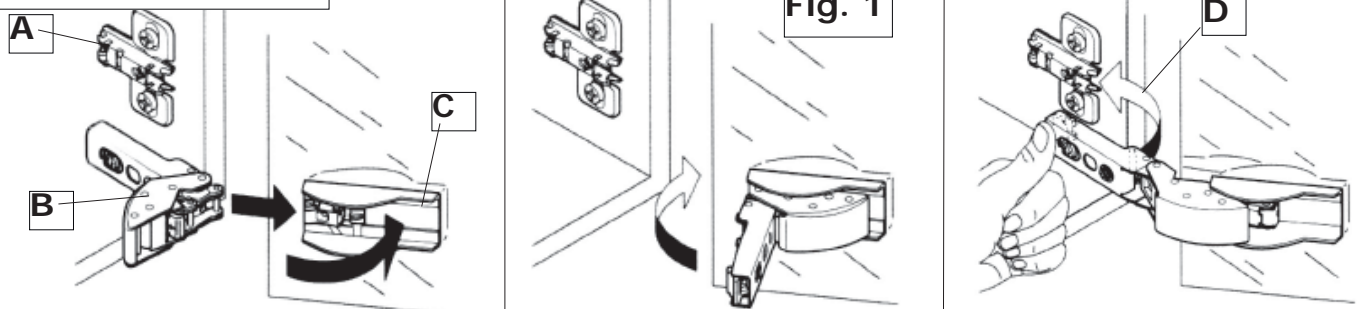


Adjustments



Remove plate and replace it with the plate supplied in the Mirror door pack.

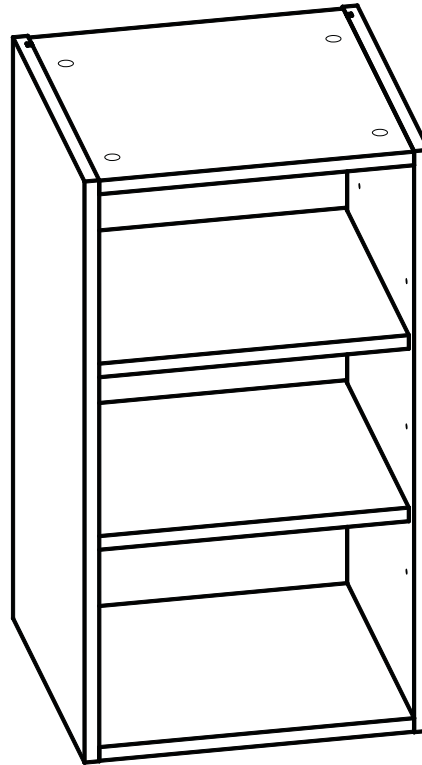
ASSEMBLY








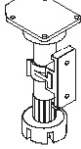
UNIT INSTRUCTIONS

This unit can be reduced in width & depth. The unit is dry fixed and can be easily disassembled. Please take care with fittings if undertaking this procedure.

DO NOT USE AT THE END OF A RUN IF THE CABINET SIDE IS VISABLE



HARDWARE

-  8 Dowels
 -  8 Shelf Supports
 -  14 Carcasses screws
 -  4 No.6x1/2" C/Sink screws Metal Brackets
 -  2 No.8 Wall Brackets
-  Leg Pack (2 legs)

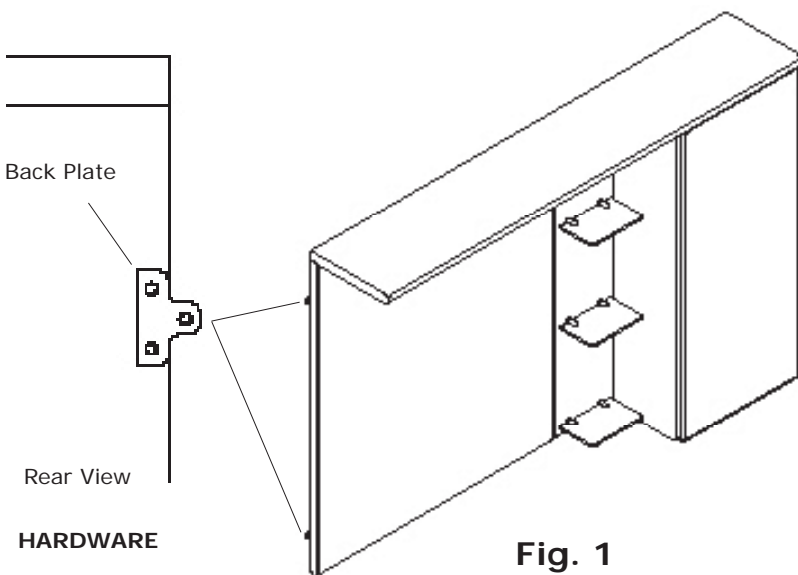
Mirror Installations

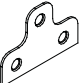

175MS, 60M, 64M, 70M, 60FM, 64FM, 70FM

All mirrors are supplied with Brass Mirror Back Plates (**Fig.1**). Key hole fittings are also supplied with Framed mirrors (**Fig.2**). When installing either Mirror backboards or Framed Mirrors, position plates to suit the application. Plates can be sited at the top and bottom or at the sides. If installation is permanent chase walls or scribe units to hide plates and cover with appropriate material.

Keyhole fittings are only supplied with framed mirrors. These fittings are best suited when mirror is fixed on its own. Use No.8 c/sink screws into wall.

Note: Wall fixings are not supplied.



- HARDWARE**
-  4 Mirror Back Plates
 -  8 No.6x1/2" C/Sink screws

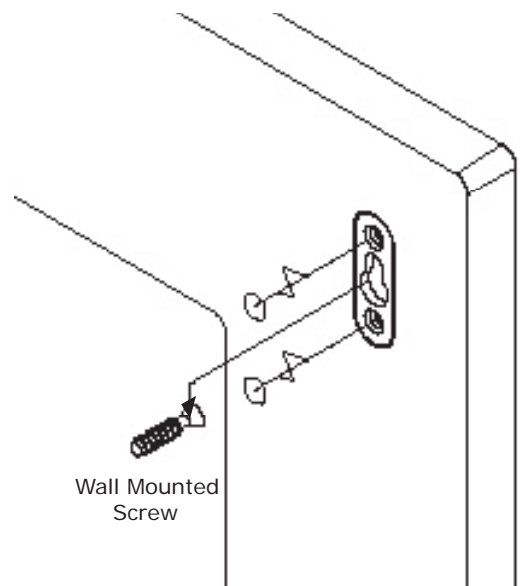
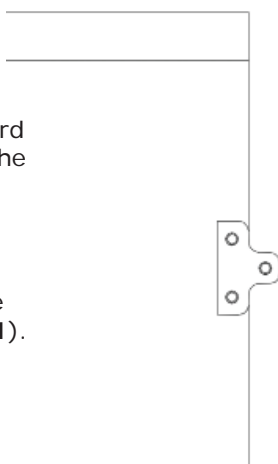


Fig. 1



Fitting Instructions

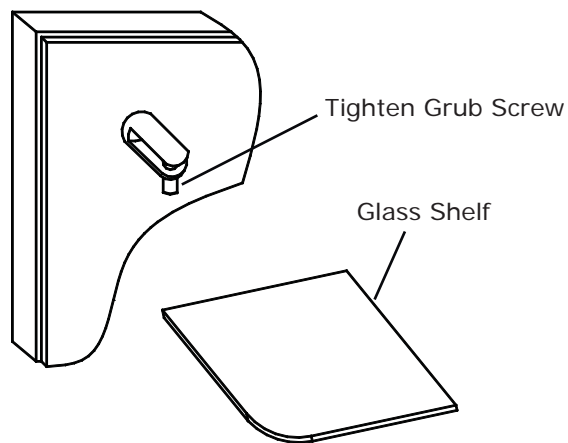
Important - Fix the mirror/backboard to the wall before attempting to fix the shelves.

Fit the mirror back plates to the backboard and fix to the wall using appropriate fixings dependant on the type and condition of the wall (**Fig. 1**).

Fit the shelves to the brackets using the supplied plastic grommets and secure with grub screws (**Fig. 2**).

Do not over tighten and the use of power tools is NOT recommended.

Fig. 2



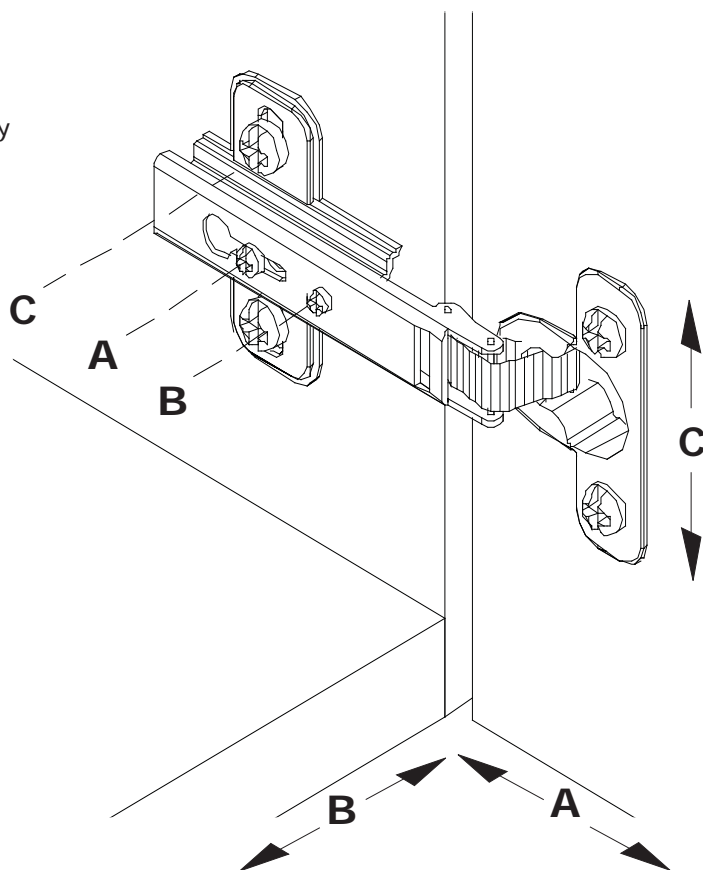
ADDITIONAL HARDWARE

- 4 Mirror Back Plates
- 8 No.6x1/2" C/Sink screws

Hinge fixing & Adjustment

HINGE FIXING & ADJUSTMENT

1. Secure hinge plates to the cabinet sides (where required) as illustrated.
2. Locate doors over hinge arms and push into predrilled positions on the rear of the doors and secure with 2 No.6x5/8" C/sink screws provided.
3. Fix hinge arms to plates by locating the key hole slot over the plate fixing screw and lightly tighten.
4. Adjust alignment of door before finally tightening.



- A = FRONTAL ADJUSTMENT**
- B = LATERAL ADJUSTMENT**
- C = VERTICAL ADJUSTMENT**

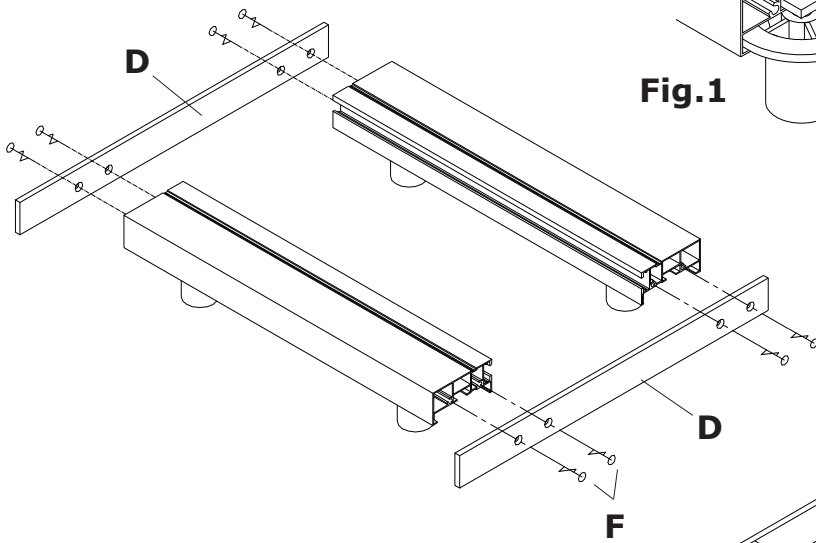
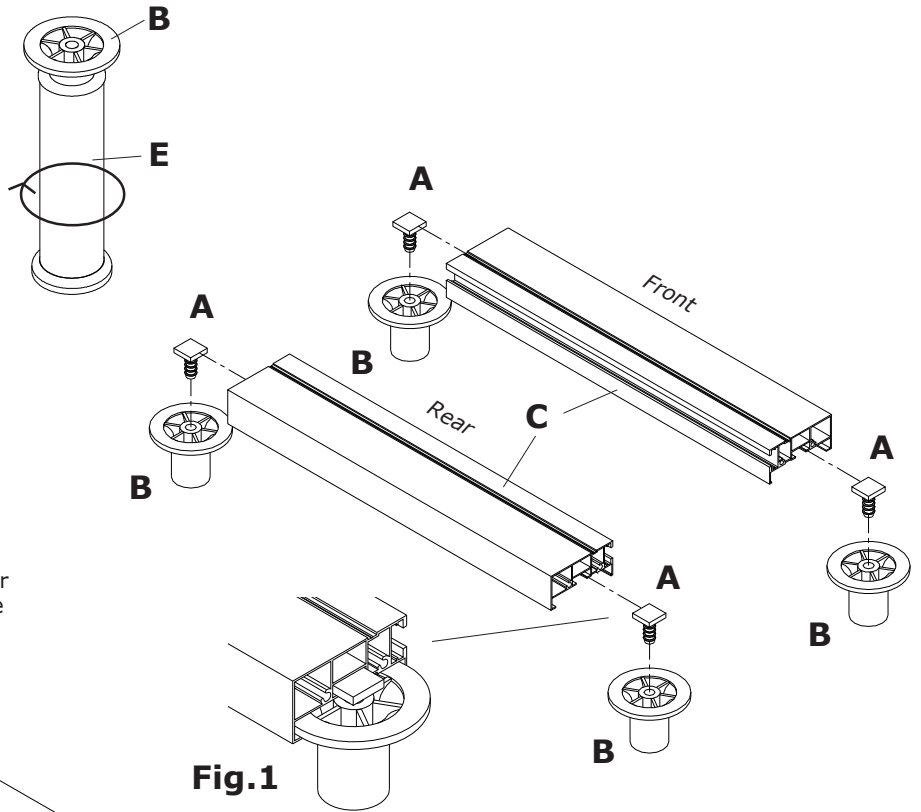
Carriage System Assembly

This package consists of:

- 2 Aluminium rails **C**
- 4 Adjustable legs **B & E**
- 2 End plates **D**
- 4 Square Bolts **A**
- 8 Self-tapping screws **F**

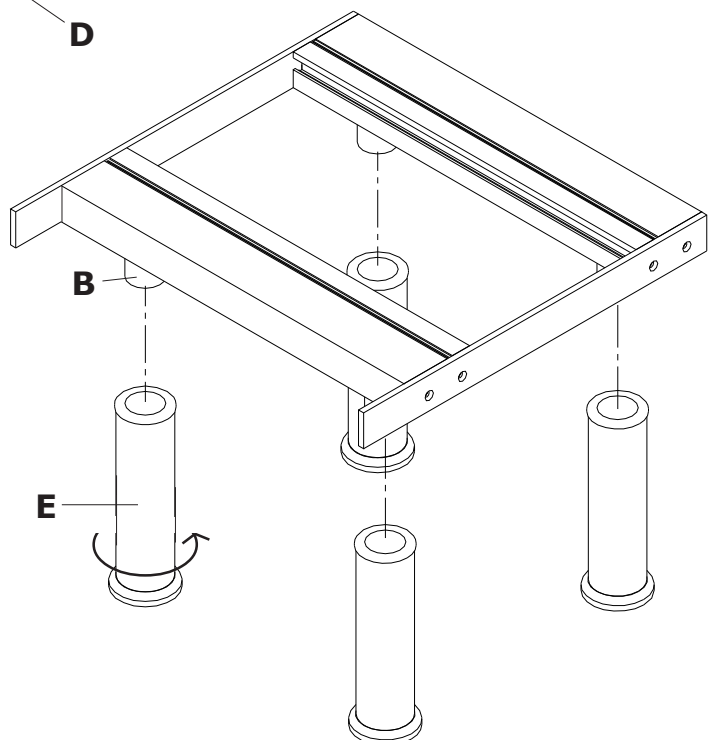
UNIT ASSEMBLY INSTRUCTIONS

1. Unscrew parts **B & E** prior to assembly of the carriage frame.
2. Secure bolt **A** into base of leg **B** leaving a small gap.
3. Slide the connected pieces into the channel provided on **C**. See **Fig.1**.
4. Place leg at desired position and tighten fully home, repeat at the other end and assemble the other rail in the same manner.



5. Secure items **D** at each end with the self-tapping screws **F** provided with a cross head screw driver.

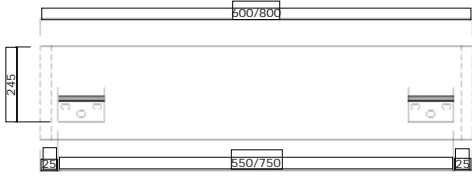
6. To finish the assembly rescrew items **E** to part **B**. Adjustment for levelling the carriage system maybe required, to level, unscrew **E** until positioning is satisfactory.



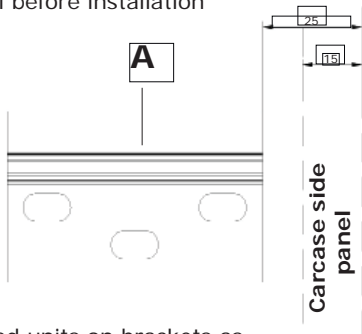
FIXING INSTRUCTIONS

1. To install furniture fix wall mounting plates **A** at the desired location.
2. A datum line of 800mm is recommended from the floor to top of gable.

Position brackets at these points for 600 or 800 units.

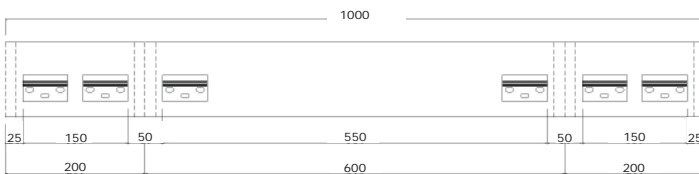


3. Oslo furniture can be Wall hung, Installed on Legs or sited on top of Carriage systems. (Instructions for assembly of carriage systems are covered further on). If using legs or carriage systems positive adjustment is only available up to 10mm. Please check floor level before installation commences.



4. Locate assembled units on brackets as shown in Fig.1.

When other units are sited either side of a 600mm unit, place brackets at the positions indicated.



Dimensions stated are for guidelines only.

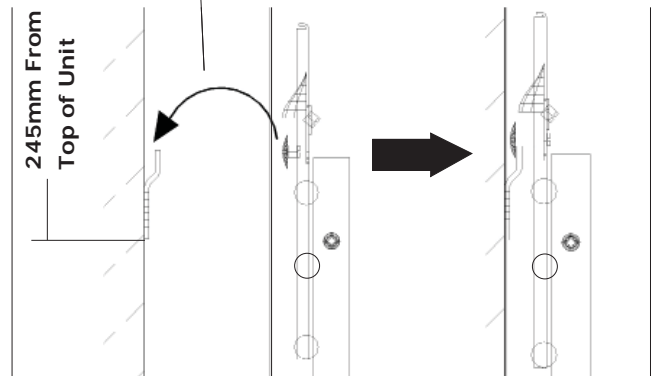
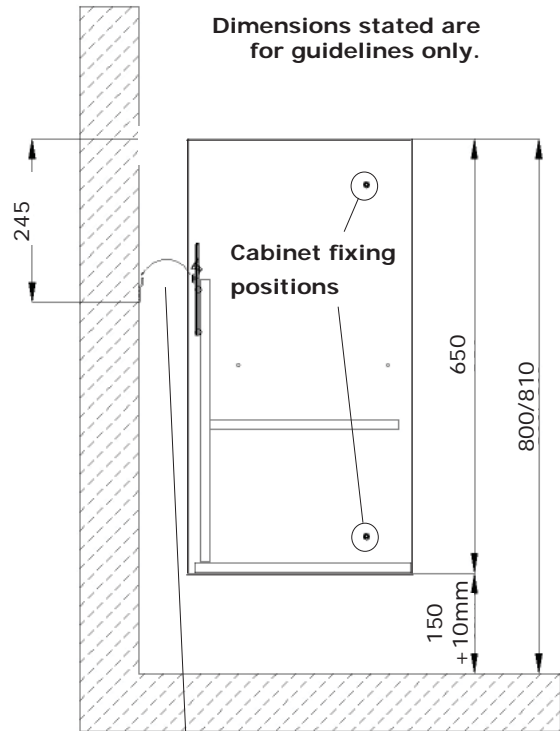
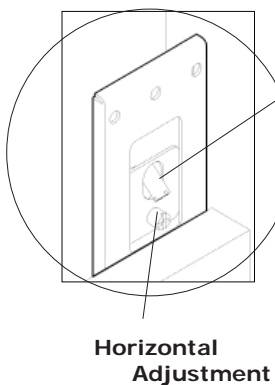


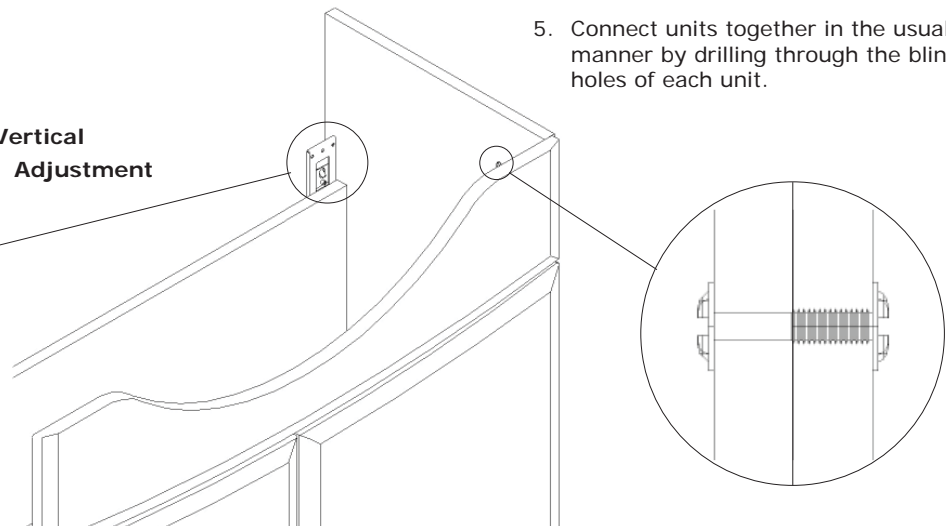
Fig.1.

Pre-fitted wall hanging brackets



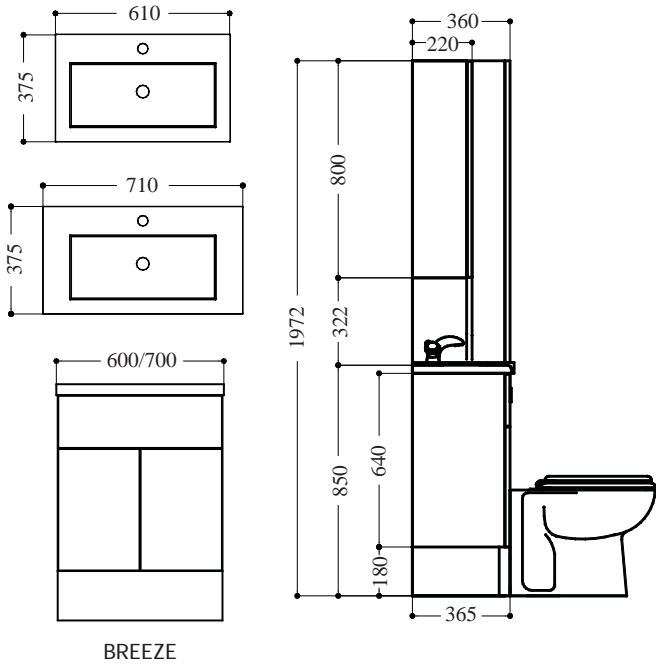
Vertical Adjustment

Horizontal Adjustment

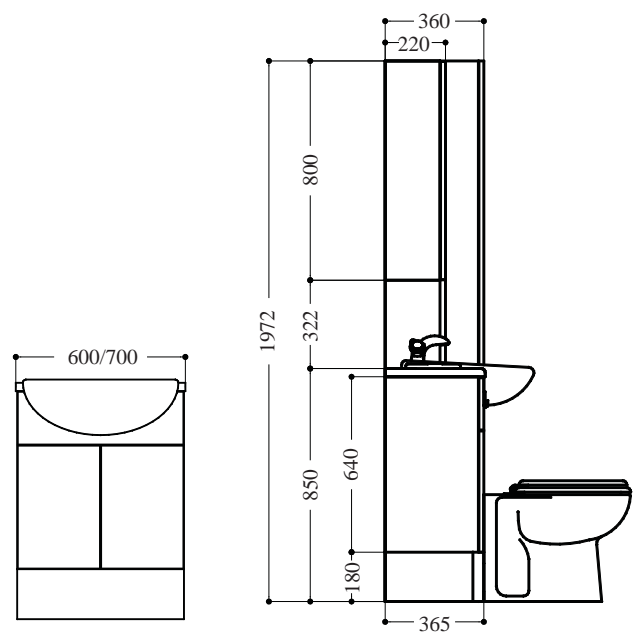


5. Connect units together in the usual manner by drilling through the blind holes of each unit.

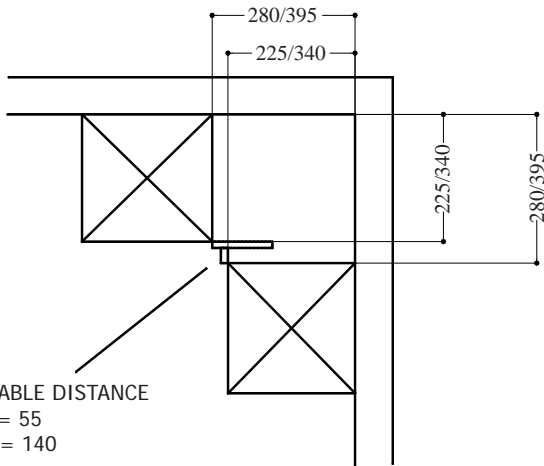
Unit Dimensions



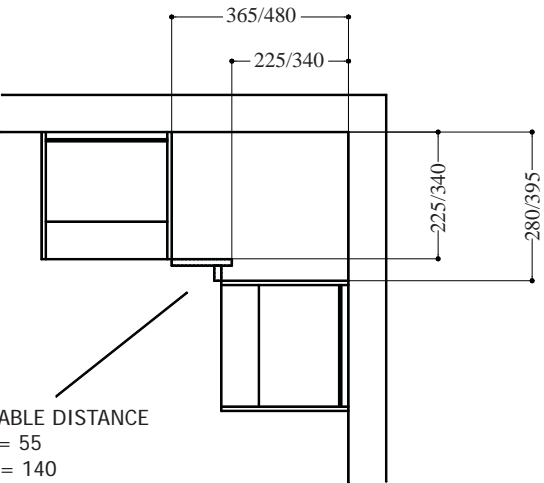
BREEZE



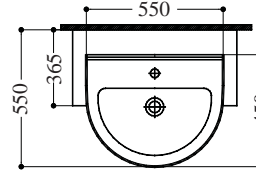
CORNER POST GUIDE



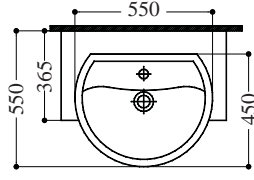
VARIABLE DISTANCE
MIN = 55
MAX = 140



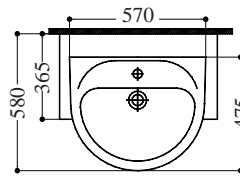
VARIABLE DISTANCE
MIN = 55
MAX = 140



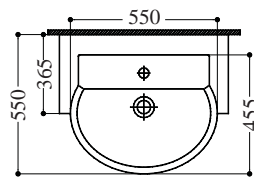
FORINO



MILANO

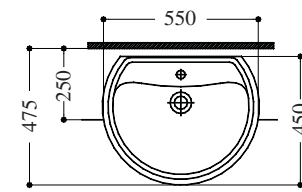


CASINA

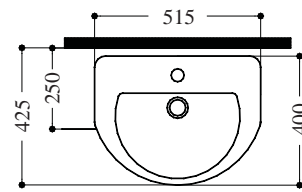


VISTA

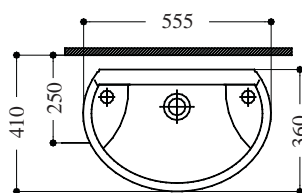
SLIM SOLUTIONS



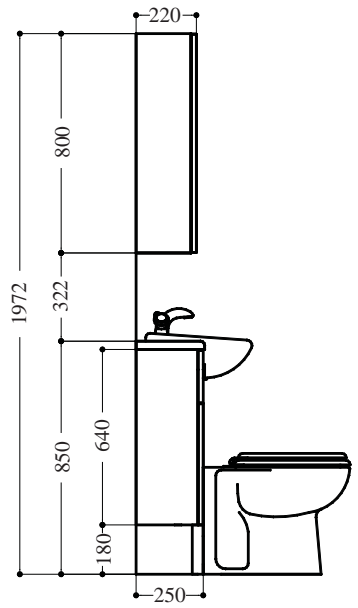
MILANO



CASINA



VISTA



Customer Services

Tel: 0191 425 4242

Fax: 0191 425 4243